

INDUSTRIAL MACHINE

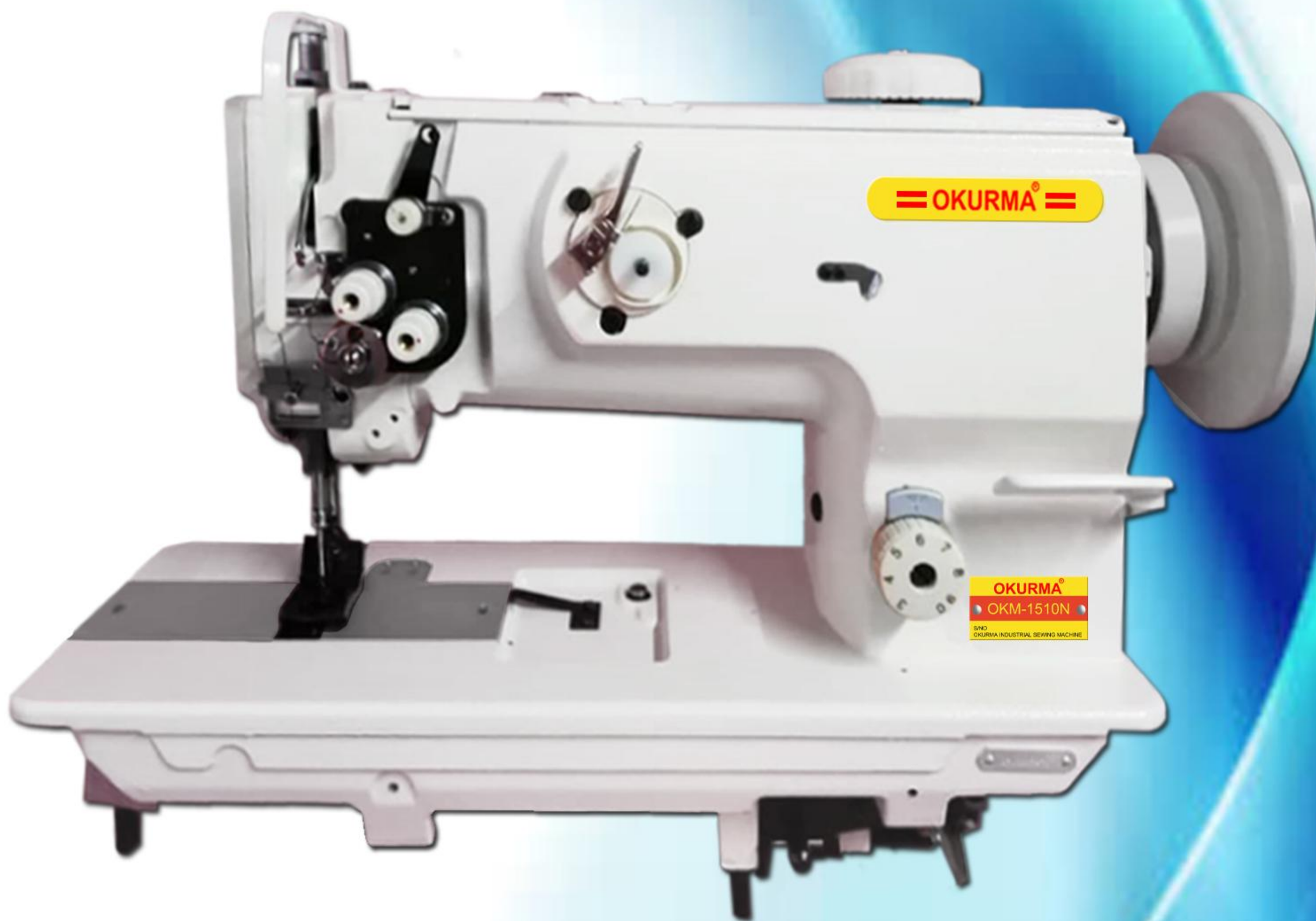
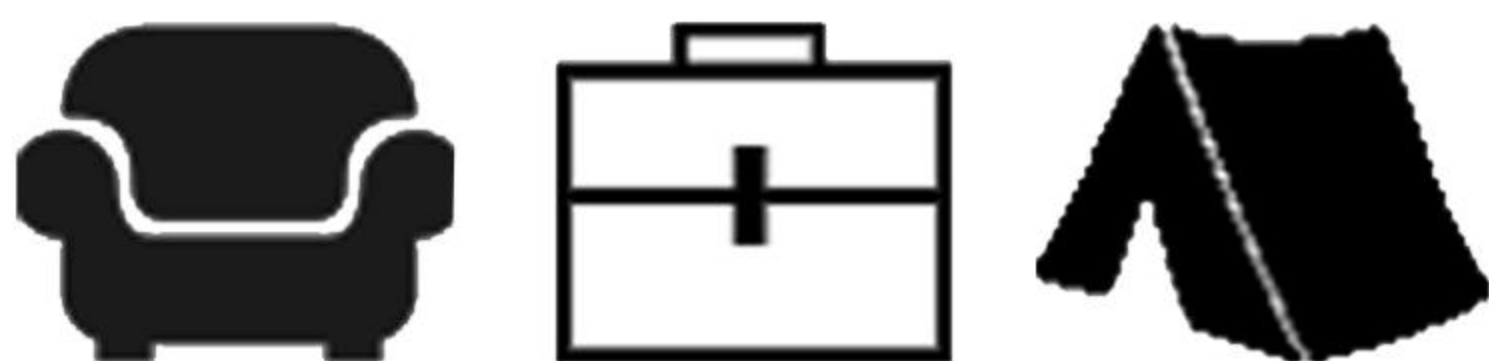


OKURMA/OKM-1510N

SINGLE NEEDLE COMPOUND FEED LOCKSTITCH MACHINE WITH AUTO LUBRICATION

APPLICATION:



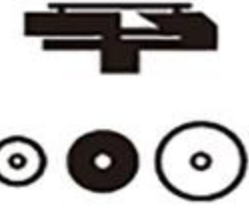

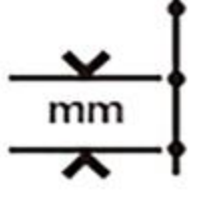
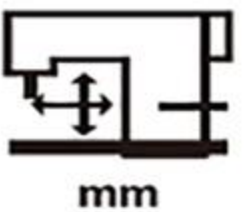



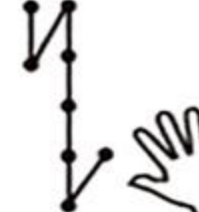


Normal sewing process for soft furniture, office chair, leather products and outdoor goods.



FEATURES:

- It adopts horizontal large hook, can sew maximum thread of 9 strands nylon.
- Classical and economic type machine with stable performance, beautiful and excellent stitch.
- The adjustable alternating amount of presser foot by hand is convenient for climbing over the thick spots.
- Alternating presser foot, needle and feed dog are fed at the same time, so that it can achieve stable and high efficiency compound feed system. It can also make sure feed smoothly while sewing heavy and complicated material, and difficult to move for upper and lower material form moving.

SPECS SCHEDULE:

											
OKM-1510N	✓	✓	DP×17 #18-#23	0 - 9	255×103	✓	✓	16	✓	✓	2000 rpm

OPTIONAL PARTS:

Side presser foot, positioning presser foot, adjustable positioning device.

