

INTERLOCK STITCH

High speed interlock stitch machine

C007K D - W 12 2 - 3 56 / CQ / DC□

机型 Type

D 直驱式马达
Direct drive servo motor

机种别 Model

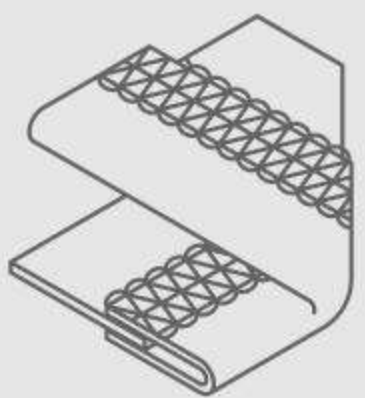
C 筒型
Cylinder bed

F 平台型
Flat bed

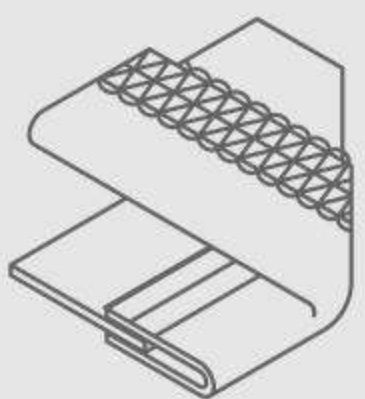
S 小筒型
Small cylinder bed

网线方式 Covering types

W



U

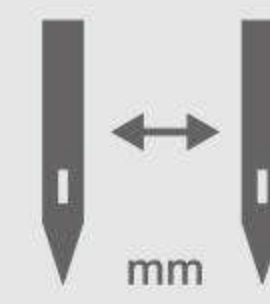


功能 Function

- 12 一般平缝
General plain seaming
- 13 拷下摆
Bottom hemming
- 15 罗纹裤头松紧带包缝
Tubular rib-fabric elastic waistband attaching
- 16 一般厚布料之平缝
General plain seaming for heavy material
- 22 滚边车缝
Tape binding
- 32 拷克骨车缝
Overlock-seam covering
- 51 松紧带上带车缝
Elastic tape attaching
- 52 松紧带附右切刀
Elastic tape attaching with right side fabric trimmer
- 53 环型松紧带车缝
Tubular elastic waistband attaching
- 54 松紧带折缝
Elastic hemming
- 61 裤耳车缝
Belt loop seaming
- 71 双勾针结构
Double-looper mechanism
- 72 三勾针结构
Triple-looper mechanism
- 81 左切刀修布装置
Left side fabric trimming
- 82 松紧带上带边缝附左切刀
Elastic tape insertion with left side fabric trimmer
- 92 四针六线搭接缝
Four-needle flat seaming

针数
Needle numbers

配件
Device

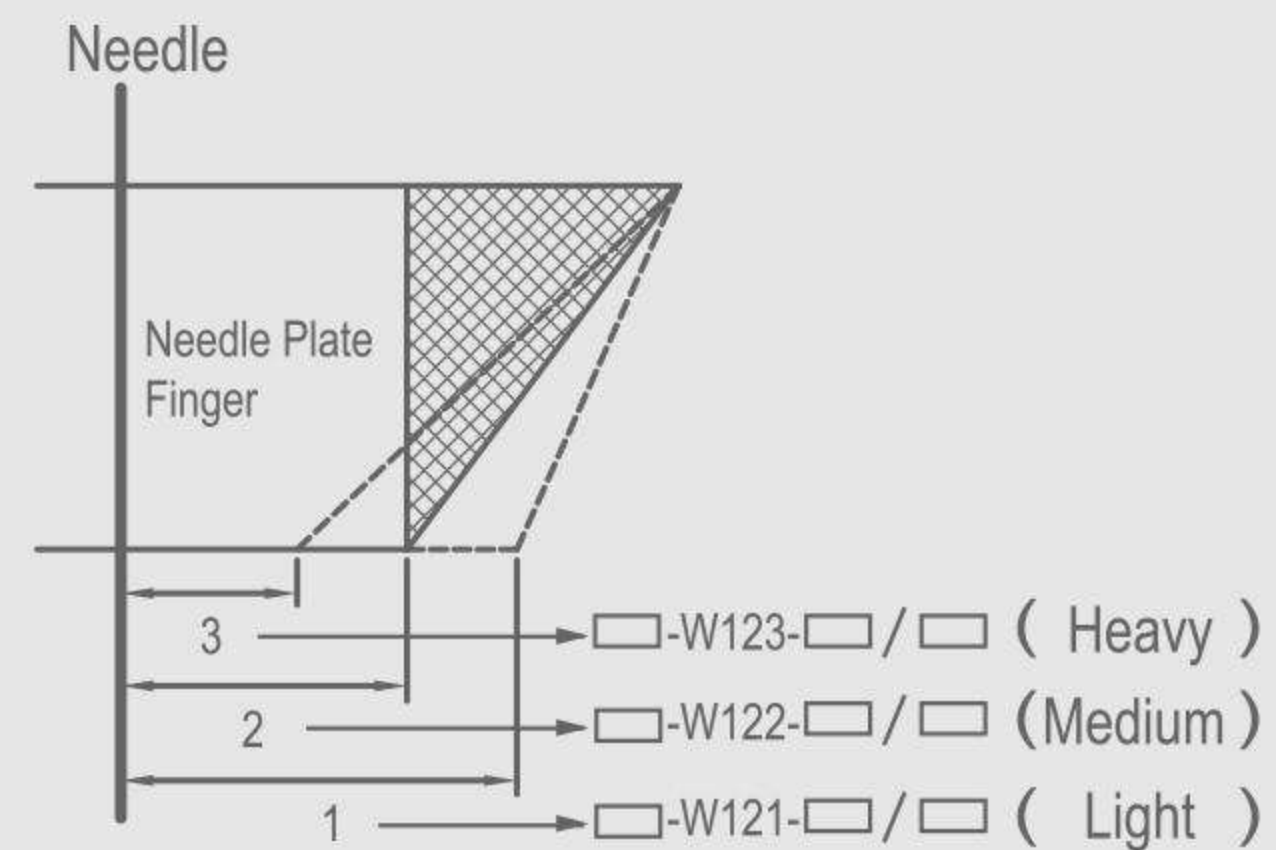
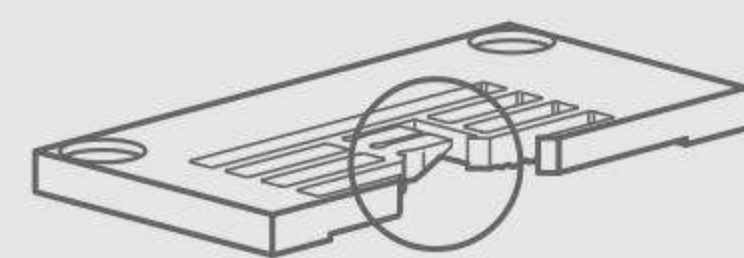


No.	mm	inch
32	3.2	1/8
40	4.0	5/32
48	4.8	3/16
56	5.6	7/32
64	6.4	1/4

下轴型直驱伺服马达
Lower main shaft type
Direct-drive servo motor

DC□	C007K
DF□	F007K
DS□	S007K

针板舌片
Needle plate finger



- 1=薄布料/细结线(密针)
Light material / Short stitch length
- 2=中厚布料 / 中结线(一般针)
Medium material / Common stitch length
- 3=厚布料 / 粗结线(粗针)
Heavy material / Long stitch length

F007K/KD SERIES FEATURES



全新人体工学，圆弧流线时尚的外型设计，使用方便顺手，赏心悦目

Brand new design of fashionable and smooth appearance, easy to sew.



内缩式床台

缝制物更靠近机针，车缝定位精准，车缝时更加顺畅就手

The Recessed Machine Bed

The sewing material is closer to the needle and the sewing is precise, which makes sewing operation easier and smoother.



上夹线装置

出刀迅速精准，夹线稳定

Upper Thread Holder

Newly designed auto trimmer trims precisely and stably.



拷克骨车缝附调整式进布诱导器，活动式压脚，车缝适用性更广

Cover seaming with adjustable folder, flexible presser foot, accommodate wider range of sewing items.



自动切线系列新设计气/电动上下切刀组

出刀迅速稳定精准，切线利落，轻顺低噪音调整容易

Auto trimmer with newly designed pneumatic / electric trimming system
trims precisely and stably, lower sound and easy to adjust.



全新直驱迷你化伺服小马达

内藏密闭设计，静音运转，低噪音低振动，定位精准，节能省碳，减少保养次数，维修更方便，全新设计之内藏式定位器，定位精准，彻底解决外置式定位器，不易安装，调整及定位不稳之情形

Built-in mini direct drive servo motor

lower noise and less vibration, precisely position, energy saving and carbon reduction. Newly designed built-in synchronizer, makes position precisely, stably, and easy to adjust.



双天秤挑线控线组

全新双天秤挑线控线组的设计，缝制厚、薄布料皆适用，车缝适用范围更广，适用性更高

Dual Thread Take-up Mechanism

The brand new design of dual thread take-up lever thread tension combination is ideal for both heavy and light fabric. Sewing applicable range is wider and the applicability is higher.

— 中厚布料 (Medium heavy fabric)
— 薄布料 (Light fabric)

F2



F007K(D)-W222-□□□/ FQ	2	4	4.0/4.8	1.6 ~ 4.2	0.5 ~ 1.3	5	UYX128GAS#10	6000
	3	5	5.6/6.4	1.6 ~ 4.2	0.5 ~ 1.3	5	UYX128GAS#10	6000
F007K(D)-W222-□□□/ FFD	2	4	4.0/4.8	1.6 ~ 4.2	0.5 ~ 1.3	5	UYX128GAS#10	6000
	3	5	5.6/6.4	1.6 ~ 4.2	0.5 ~ 1.3	5	UYX128GAS#10	6000
F007K(D)-W222-□□□/ FFP	2	4	4.0/4.8	1.6 ~ 4.2	0.5 ~ 1.3	5	UYX128GAS#10	6000
	3	5	5.6/6.4	1.6 ~ 4.2	0.5 ~ 1.3	5	UYX128GAS#10	6000



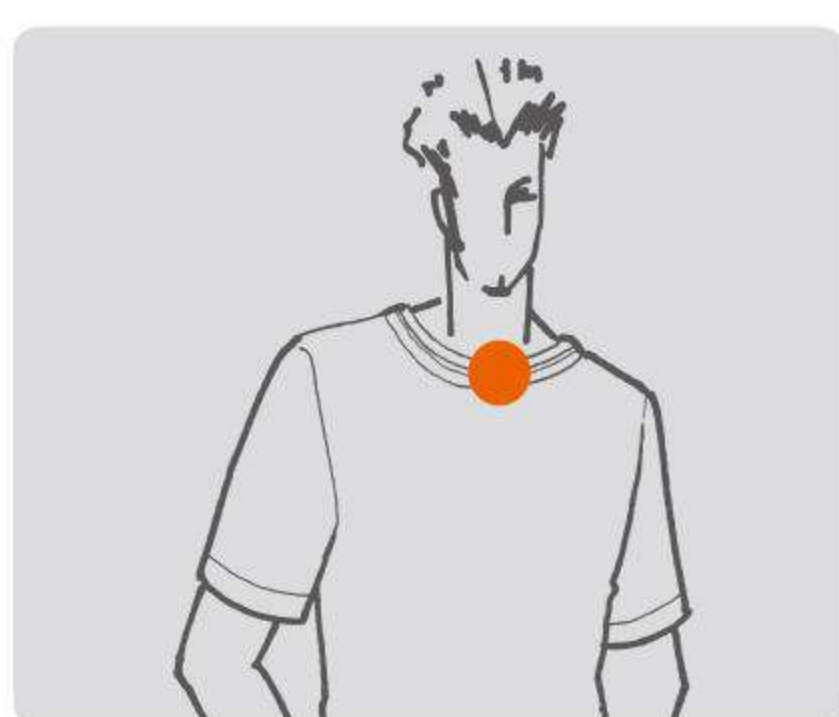
F007K-W222-356/FQ/FEC



F007K-W222-356/FFD



F007K-W222-356/FFP



FQ



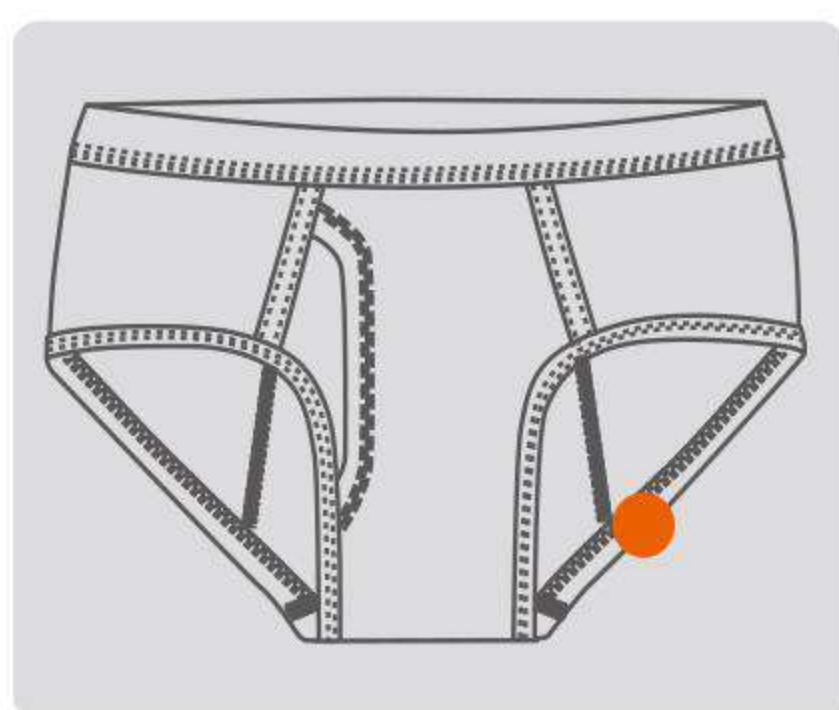
FQ

FQ:上带滚边车缝

适用于T恤、内衣裤之领口、裤管口等上带滚边之车缝工程，可加附电动(FEC)或气动式(FAC)长切刀式切布条装置，能将滚边布条切断，节省布条之用料增加车缝效率

FQ:TAPE BINDING

For tape binding on openings of leg or neck of underwears, T-shirts, etc... Also can attach electric(FEC) or pneumatic(FAC) tape cutter to save tape and increase sewing efficiency.



FFD/FFP



FFD/FFP

FFD/FFP:上带滚边车缝包覆松紧带

上送带装置控制松紧带张力，加上膝动控制松紧带之左右移动，能有效让松紧带前后段与衣身车缝固定，适用于内裤之裤头、裤脚之滚边加松紧带之车缝工程

FFD: 齿轮箱型精准张力控制

FFP: 弹簧片型简易张力控制

FFD/ FFP:TAPE BINDING WITH ELASTIC BAND

Top feeding device controls the elastic band's tension. Elastic band right-left position controller (by knee-pushing) sets the materials joining at the beginning and ending of waistband, leg opening of briefs...etc.

FFD: Gearbox type for accurate tension control

FFP: Spring type for simple tension control



◀ 以上机型可加装
FNC, FSC:
电眼型后切刀附直驱马达

Optional device for the above models

FNC, FSC:
Sensor type rear cutter with direct-drive servo motor

选购配件 OPTIONAL DEVICE
FA, LF-A, FAC, FEC, LS-A

DEVICE



CAR 气动式密缝装置 Pneumatic Condense Stitching Device (CAR/SAR) 膝动式密缝装置 Manual Condense Stitching Device (CMR)

藉由缩短送具行程，在车缝起始或结束时进行密缝的功能，确保缝线不易脱落，提高车缝品质，基本车为脚踏板控制，电动和气动控制为选配，本配件需更换专用规格组

By reducing the strokes of feed dog, at the beginning and the end of sewing, condense stitching reinforces the stitches. This enhances the sewing sturdiness and quality. Basic model is controlled by pedal. Electric and pneumatic controls are optional. Exclusive gauge sets is required.



SAR



CMR

Applicable Model	CAR (Pneumatic)	SAR (Pneumatic)	CMR (Manual)
C007K/C007KD	√	×	√
S007K/S007KD	×	√	√

可自行组装 self-installation : YES



CC 拷克倒骨蓋缝装置 Overlock- Seam Covering (Fold-down Type)

1. 适中厚至厚布料经四线拷克车包缝后之饰缝
2. 对于运动服，领子，衣襟，袖管之拷边车缝后加以单面或双面装饰环缝，可增加服饰之美观及车缝之牢固。利用导布片及押具上之押刀导缝，可避免车缝时弯曲不直

1. Overturned seam covering for medium to heavy fabric after 4 thread plain seaming.

2. Suitable for neck openings, sleeve, cuff or bottom of sportswears, T-shirts, etc... With fabric guide and special presser foot making sewing easy and more efficient.

可自行组装 self-installation : YES

适用机型 applicable model : C007K-W322, C007KD-W322



CE 拷克倒/立骨蓋缝装置 Overlock-seam Covering (Fold-down/Flattening Type)

1. 适中厚布料经三线拷克车包缝后之饰缝
2. 对于运动服，领子，衣襟，袖管之拷边车缝后加以单面或双面装饰环缝，可增加服饰之美观及车缝之牢固。利用导布片及押具上之押刀导缝，可避免车缝弯曲不直

1. Bulging seam covering for medium fabric after 3 thread plain seaming.

2. Suitable for neck openings, sleeve, cuff or bottom of sportswears, T-shirts, etc... With fabric guide and special presser foot making sewing easy and more efficient.

可自行组装 self-installation : YES

适用机型 applicable model : C007K-W322, C007KD-W322



CFC 松紧带折缝 Elastic Hemming

经由齿轮控制箱之控制，能有效控制松紧带之松紧度，配合三折或二折折布喇叭及松紧带压缝，可精确完美的进行短裤、内裤等裤脚及裤头之松紧带折缝

Elastic hemming evenly length and elasticity is controlled by gear box. Great for seam covering with two or three plies hemming binder on elastic for waistband or leg opening of briefs and shorts's, etc...

可自行组装 self-installation : YES

适用机型 applicable model : C007K-W542



CH 下摆车缝 Hemming

T恤、内衣及儿童服饰之下摆及袖口之车缝，可随需要调整下摆饰缝组宽度，操作简单快捷

Suitable for the bottom hemming of T-shirts, underwears, cuff of children's garments, etc... Able to adjust the width of hemming set to fit demands, easy operation.

可自行组装 self-installation : YES

适用机型 applicable model : C007K-W121, C007K-W122, C007K-W123, C007K-W162 ,
C007KD-W121, C007KD-W122, C007KD-W123, C007KD-W162



CHK 下摆车缝 Hemming

T恤、内衣及儿童服饰之下摆及袖口之车缝，可随需要调整下摆饰缝组宽度，操作简单快捷

CHK- A用于一般机型

CHK-UT用于自动切线机型

Suitable for bottom hemming of T-shirts, underwears, cuff of children's garments, etc...

Able to adjust the width of hemming set to fit demands, easy operation.

CHK-A is for normal type machine

CHK-UT is for auto trimmer type machine

可自行组装 self-installation : YES

适用机型 applicable model : C007KD-U131



CHP [二合一]气动式下摆车缝/环型松紧带折缝附左切刀修布边功能

[2 IN 1]Pneumatic Hemming /Tubular Elastic Tape hemming With Left Edge Trimmer

气动式布料导边器能将布料及松紧带顺畅的捲折，此外左切刀切齐后再进行缝纫，可增加包缝工程之品质与效率，适用于男内裤、运动裤等裤头松紧带包缝

With pneumatic driving folder to fold fabric and insert elastic smoothly, left hand side fabric trimming before hemming increases sewing quality & efficiency. For hemming sleeve opening and bottom of underwears, T-shirts, or sportswears, etc...



CY

可自行组装 self-installation : No

适用机型 applicable model : C007K-W822, C007KD-W822

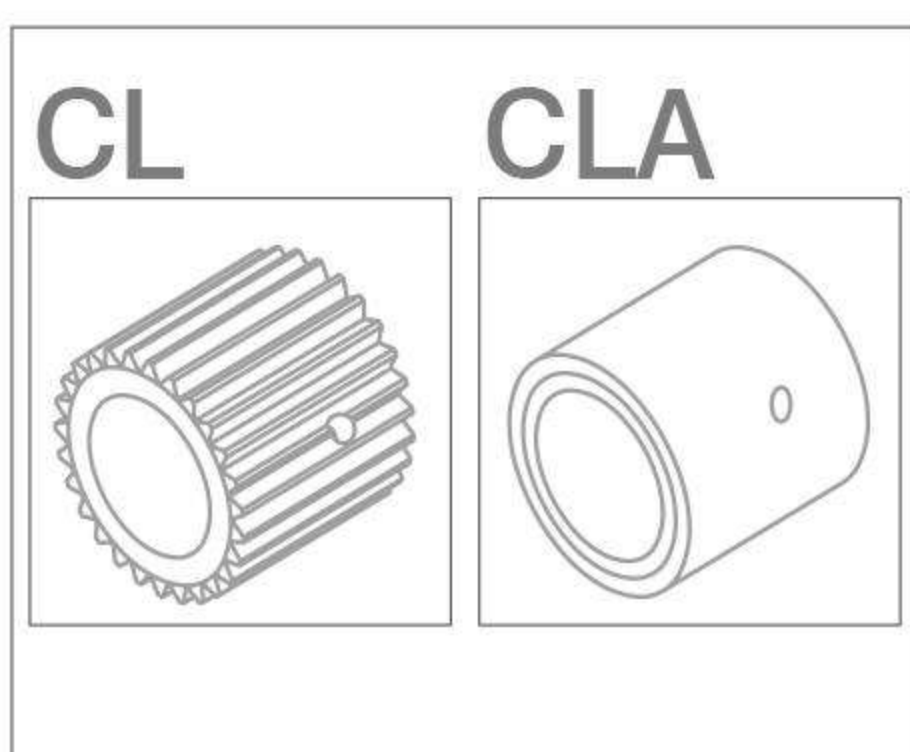


CL 后拉引滚轮 Rear Puller

1. 可拉车缝过后之布及松紧带，使其不会产生车缝过后挤压之毛病，以达车缝平顺快速之效果
2. 本辅助件同时内附齿状滚轮CL (CL19+ CL53) 与平面滚轮CLA (CL20+CL52) ，供客户依车缝布料之不同来选择使用。一般布料用平面滚轮，但另车缝松紧带或蕾丝松紧带时，请用齿状滚轮
3. 为能正确之校缝，机器装配时会按实际需要装齿状滚轮与平面滚轮，但于配件盒附上另一组齿状滚轮



CLA



1. Pulls the fabric and elastic after sewing and makes sewing fast, flat and smooth without wrinkles.
2. The attachment includes both CL(CL19+CL53) and CLA(CL20+CL52). CLA is flat type for normal material, and CL is serrated type for elastic or lace, etc...
3. For fine-tuning purpose, the machine will be equipped with one rear puller depending on actual demand, the other one will be placed in the accessory box.

可自行组装 self-installation : NO

适用机型 applicable model : C007K, C007KD



CQ 上带滚边车缝 Tape Binding

1. T恤、内衣裤、儿童服饰等之领口、袖口和裤管口之包边
2. 订购内附CQ之机器内附FG组，但个别购买CQ装置时则不另附FG组
3. 包边喇叭之标准规格为入布宽度1-3/8"，出布时成三折，宽度为1/2"。若需订购标准品以外之尺寸，请于订购时特别注明，但交期及费用另计
4. 本辅助件有三种订购方式：



CQA

1. For tape binding on openings of leg or neck of underwears, T-shirts, etc...
2. If purchased machine with CQ device, FG device will also be included. If only CQ device were purchased, no FG included.
3. Binder's standard tape size is 1-3/8" wide and finished size is 1/2" wide in 3 folds. Please remark if need another size when ordering, delivery and cost will be recalculated.
4. Ways to order the device:

机型 Model	CQ	FG	CQ规格组 CQ Gauge Set	喇叭 Binder
C007KD-W222-240/CQ	V	V	V	V
C007KD-W222-240	X	X	V	X
C007KD-W222-240/CQ-P	V	V	V	X

可自行组装 self-installation : YES

适用机型 applicable model : C007K-W222, C007KD-W222



CR 右切刀修布及切布装置 Right Hand Side Trimmer

修齐右边或右下方多余之布料，使衣物车缝后更加整齐美观；附加吸布屑装置更能保持工作环境干净

Right hand side waste fabric trimming with waste suction device makes fabric edge aligned to seam and keeps the working area clean.

可自行组装 self-installation : NO

适用机型 applicable model : C007K-W522, C007K-W532, C007KD-W532



CRL 左切刀修布装置 Left Hand Side Trimmer

修齐二片布接缝之左下方多余之布料，使衣物车缝后更加整齐美观
Left hand side fabric trimming makes fabric edge aligned to seam.

可自行组装 self-installation : NO

适用机型 applicable model : C007K-W812(A), C007K-W822, C007KD-W812(A), C007KD-W822



CSA 铁桶式吸风马达 Iron Case Suction

1. 双吸马力足（前后吸），装在车头上比同类马达大1/4的马力（后吸为切刀，前为漏斗式吹气）
2. 噪音低，可比同类马达降低5分贝
3. 温度低，可比同类马达降温18%
4. 节省空间，装在车板下比同类马达节省10%的体积
5. 容易安装，可比同类马达少1/2安装时间
6. 清理顺畅，拆装容易，集尘无漏洞
7. 风压可视需求调整大小

1. Two-way suction (rear and front suction). 1/4 horsepower more than normal standard. (rear suction is for thread trimmer, front suction is for fabric waste)
2. Quiet. 5dB lower than normal standard.
3. Low temperature. 18% in celsius lower than normal standard.
4. Space efficiency. 10% space saved than normal standard.
5. Easy assembly. 50% time saved for assembly.
6. Easy to clean, easy to assemble/disassemble, completed dust collection.
7. Air pressure can be adjusted as needed.

可自行组装 self-installation : YES

适用机型 applicable model : F007K/FR, C007K/CR, C007K/CRL



CSB 塑胶筒式吸风器 Plastic Tank Suction

1. 单吸马力足，装在车头上比同类马达大1/4的马力（适用后吸切刀）
2. 噪音低，可比同类马达降低5分贝
3. 温度低，可比同类马达降温10%
4. 节省空间，装在车板下比同类马达节省25%的体积
5. 容易安装，可比同类马达少1/4安装时间
6. 清理顺畅，拆装容易，集尘无漏洞
7. 风压可视需求调整大小

1. One-way suction, 1/4 horsepower more than other brands. (for rear suction thread trimmer)
2. Quiet, 5dB lower than normal standard.
3. Low temperature. 10% lower than normal standard.
4. Space efficiency. 25% space saved than normal standard.
5. Easy assembly. 25% time saved for assembly.
6. Easy to clean, easy to assemble/disassemble, completed dust collection.
7. Air pressure can be adjusted as needed.

可自行组装 self-installation : YES

适用机型 applicable model : F007K/FR, C007K/CR, C007K/CRL



CW 四针六线环缝车缝装置 Four-needle Flat Seaming

适用于一般内衣裤二片布接缝处之接缝和补强，附有专属之导边器，可使二片布顺畅缝合

For flat seaming 2 pieces of fabrics on men's briefs, fabric guide included.

可自行组装 self-installation : YES

适用机型 applicable model : C007K-W922 , C007KD-W922



CX 环型平织松紧带包缝装置 Pneumatic Elastic Inserting

环型平织松紧带或蕾丝松紧带与衣物接缝，适用于男女内裤裤腰之松紧带缝合，配合右切刀修布装置更能提高缝制品质

For tubular elastic or lace waistband attaching on men's or women's briefs, with right hand side fabric trimming to increase sewing quality and efficiency.

可自行组装 self-installation : YES

适用机型 applicable model : C007K-W532, C007KD-W532



CZ 气动式环型罗纹松紧带包缝装置 Pneumatic Elastic Inserting

男女用内裤之裤头环形棉织松紧带之包缝，本装置需搭配CL及RLQ使用

Attaching tubular elastic tape onto waistband, suitable for briefs. For using this device, CL and RLQ must be equipped together.

可自行组装 self-installation : YES

适用机型 applicable model : C007K-W152 , C007KD-W152



CZP 膝动式环型罗纹松紧带包缝装置 Manual Elastic Inserting

男女用内裤之裤头环形棉织松紧带之包缝，本装置需搭配CL及RLQ使用

Attaching tubular elastic tape onto waistband, suitable for briefs. For using this device, CL and RLQ must be equipped together.

可自行组装 self-installation : YES

适用机型 applicable model : C007K-W152 , C007KD-W152



DC 1 2 3 下轴型直驱伺服马达 Lower main shaft type Direct-drive servo motor

DF 1 2 3 包缝机模块化搭配直驱伺服马达, 多样化的选择, 更有弹性

DS 1 2 3 1:适用机型 2: 厂别 3: 系列流水号

Interlock machine equipped with the modularized direct-drive servo motors to be more flexible for diversification.

1: Applicable machine 2: Factory code 3: Series number

可自行组装 self-installation : YES

适用机型 : 全系列绷缝机

Applicable model: All Interlock Series



FA 侧向电动送带装置 Side Electric Tape Feeding

- 1. 利用电子微动开关控制布条，松紧带或蕾丝之输送长度，使上带车缝更加平顺
- 2. 送带在控制箱右边

- 1. With electronic switch to control the feeding length of tape, elastic, or lace to create smoother sewing.
- 2. Tape feeding will be on the right hand side of the control box.

可自行组装 self-installation : YES

适用机型 applicable model : C007K/CQ, C007K/CQA, F007K/FQ, F007K/FFD, F007K/FFP, F007K/FSM, C007KD/CQ, C007KD/CQA, F007KD/FQ, F007KD/FFP

F□C 後切刀系列 Rear Cutter Series



FAC



FEC



FNC/FSC



FNC



FSC

	操作模式 Operation Mode	切刀驅動 Cutter Driven by	電眼 Sensor	抬壓腳 Presser foot lifter	控制器 Controller	功能 Function
FAC	膝動 Knee	氣缸 + 機械閥 (氣動) Air cylinder + mechanical Valve (Pneumatic)	/	/	/	手動切刀 Manual Cutting
FEC	膝動 Knee	電磁鐵 (電動) Solenoid (Electric)	/	/	FE202-A 專用電控箱 Specific control box	手動切刀 Manual Cutting
FNC	自動/ 膝動 Auto/ Knee	氣缸 + 電磁閥 (氣動) Air cylinder + Solenoid (Pneumatic)	v	v	GD60-4-FK-220 伺服馬達驅動 Driven by servo motor	電眼偵測布邊 (類似700QD/ECA) The sensor checks the cloth edge. (Similar to 700QD/ECA)
FSC	自動/ 膝動 Auto/ Knee	氣缸 + 電磁閥 (氣動) Air cylinder + Solenoid (Pneumatic)	v	v	i70L-4-ME-220 伺服馬達驅動, 附觸控面板 Driven by servo motor, with Control Panel	電眼偵測布邊, 並且控制器以計數方式, 控制布帶的鬆緊度與餘留長度, 適用比基尼車縫 Checking the cloth edge by sensor, and also the metering device controls the tape tension and the remained length. Applicable to bikini sewing.

可自行组装 self-installation : NO

适用机型 applicable model : F007K/FQ, F007K/FE, F007K/SMK, F007K/STC, F007K/FR, F007K/FR/FQS,





FBP 裤耳车缝 Belt Loop Seaming

利用已裁好等宽之布条连续快速车缝裤耳

1. 一般W122机型可变换成FBP机型，只需订购组件FBP- 256或FBP- 264，便可换成车裤耳之功能

2. 因所车缝布料不同而其所搭配之喇叭与针也会不同，订购时请注明

Mass production for belt loop by using stripped tape.

1. Normal W122 type can be changed to FBP type with FBP-256 or FBP-264 for belt loop seaming.

2. Different size folders and needles may be required depends on different fabric. Please refer to the below table and remark when ordering.

针距 Needle Gauge	成品尺寸 Finished Good	喇叭代号 Folder No.	布料 Fabric
5.6mm	9 mm	FBP01A	男女西服 Suits for Men & Women
5.6mm	10mm	FBP01B	
6.4mm	12mm	FBP01C	牛仔 Jeans

可自行组装 self-installation : YES

适用机型 applicable model : F007K-U613, F007KD-U613



FDC 拷克倒骨包缝装置 Covering Seaming

1. 适中厚至厚布料经四线拷克车包缝后之饰缝

2. 对于运动服等衣物之领子、衣襟、袖管之拷边包缝后加以单面或双面装饰环缝，可增加服饰之美观及车缝之牢固。利用导布片及押具押刀之导缝，可避免车缝弯曲不直

1. Overturned seam covering for medium to heavy fabric after 4 thread plain seaming.

2. Suitable for neck openings, sleeve, cuff or bottom of sportswears, T-shirts, etc... With fabric guide and special presser foot making sewing easy and more efficient.

可自行组装 self-installation : YES

适用机型 applicable model : F007K-W322 , F007KD-W322



FDE 拷克立骨包缝装置 Covering Seaming

1. 适中厚至厚布料经三线拷克车包缝后之饰缝

2. 对于运动服等衣物之领子、衣襟、袖管之拷边包缝后加以单面或双面装饰环缝，可增加服饰之美观及车缝之牢固。利用导布片及押具押刀之导缝，可避免车缝弯曲不直

1. Bulging seam covering for medium to heavy fabric after 3 thread plain seaming.

2. Suitable for neck openings, sleeve, cuff or bottom of sportswears, T-shirts, etc... With fabric guide and special presser foot making sewing easy and more efficient.

可自行组装 self-installation : YES

适用机型 applicable model : F007K-W322 , F007KD-W322



FE 电子式松紧带控制装置 Electric Type Elastic Feeding

1. 经由电子控制箱之数位设定，能有效控制松紧带在设定好之松紧度输送，以供车缝
 2. 本装置可接受松紧带最大输送宽度为2-1/2 "
1. Elastic feeding ensures even length and elasticity, controlled by electronic digital control box.
 2. Maximum feeding width of elastic is 2-1/2".

可自行组装 self-installation : YES

适用机型 applicable model : F007K-W512, F007K-W522, C007K-W512, C007K-W522,



FFC 机械式松紧带控制装置 Mechanic Type Elastic Feeding

1. 经由机体内机械带动可自动输送松紧带，并经由齿轮箱控制器旋转钮，可依照衣服尺寸，微调设定车缝松紧带之松紧程度
 2. 本装置可接受松紧带最大输送宽度为2-1/2 "
1. Elastic feeding ensures even length and elasticity controlled by gear set.
 2. Maximum feeding width of elastic is 2-1/2".

可自行组装 self-installation : NO

适用机型 applicable model : F007K-W512, F007K-W522, C007K-W512, C007K-W522



FFD 腰间或裤脚包缝控制松紧带前后车缝装置(机械式) Mechanic Type Elastic Feeding & Binding

1. 短裤及男女用内裤裤头或裤脚之松紧带包缝，利用无段变速控制器，可精确调整松紧带的松紧程度；运用操作简便之膝动控制系统，控制松紧带前后车缝，使车缝更完美
 2. 本装置可接受松紧带最大之尺寸为1 / 8 "到1/ 4" 之宽度
1. Elastic feeding ensures even length and elasticity controlled by gear set with elastic tape side-motion controller for sewing the beginning and ending of elastic tape onto waistband, leg opening of briefs, etc...
 2. Maximum width of elastic is 1/8" to 1/4".

可自行组装 self-installation : YES

适用机型 applicable model : F007K-W222



FFP 腰间或裤脚包缝控制松紧带前后车缝装置(弹簧式) Mechanic Type Elastic Feeding & Binding (Leaf Spring)

1. 短裤及男女用内裤裤头或裤脚之松紧带包缝，利用弹簧控制器，可简易调整松紧带的松紧程度；运用操作简便之膝动控制系统，控制松紧带前后车缝，使车缝更完美
 2. 本装置可接受松紧带最大之尺寸为1 / 8 "到1/ 4" 之宽度
1. Elastic feeding ensures even length and elasticity controlled by leaf spring with elastic tape side-motion controller for sewing the beginning and ending of elastic tape onto waistband, leg opening of briefs, etc...
 2. Maximum width of elastic is 1/8" to 1/4".

可自行组装 self-installation : YES

适用机型 applicable model : F007K-W222 , F007KD-W222



FHA 下摆车缝 Hemming

T恤、内衣、儿童服饰之下摆车缝；可随需要调整下摆宽度，操作简单

Suitable for bottom hemming of T-shirts, underwears, cuff of children's garments, etc... Able to adjust the width of hemming set to meet different demands, easy operation.

可自行组装 self-installation : YES

适用机型 applicable model : F007K-W121 , F007K-W122 , F007K-W123 , F007K-W162
F007KD-W121 , F007KD-W122, F007KD-W123 , F007KD-W162



FHK 二针三线·袖口自动车缝装置 2 Needle 3 Thread Automatic Sleeve Hemming Device

- 1.T恤袖口、下摆气动式自动送布、折布装置，大幅节省人力及提升技术力
- 2.可依客户车缝需求自行调整下摆折边宽度（附刻画尺），及下折布料距左针之左右宽度调整
免裁切布料，节省材料成本
- 3.电眼自动检测送布、折边、抬压脚装置，作业完成后自动停机
- 4.最大产能约：6000件~7000件（袖口）/8小时

1.The pneumatic automatic feeding and folding device is for T-shirts sleeve hemming, which can save manpower and upgrade technique.

2.Customers can adjust the width of hemming folding edge and the horizontal width between folding fabric and left needle as required. Since there is no need to cut the fabric in advance material cost can be saved.

3.The electric eye can detect feeding, edging and presser foot lifter automatically. After finishing the action, the operation will stop automatically.

4.The maximum productivity: 6000 – 7000 pc (cuff)/ 8 hours.

可自行组装 self-installation : NO

适用机型 applicable model : F007KD-U131, F007KD-U132



FL 后拉滚轮装置 Rear Puller

适用于薄到中厚布车缝如：床单、被套、毛巾等（较厚的硬滑布类不可适用），另附一组可调式下摆车缝组FHA（K）

Suitable for light to medium fabric, such as bedsheets, quilts, towels etc. With one set of adjustable bottom hemming device, FHA(K). (not suitable for the hard and slip fabric which is much heavy)

可自行组装 self-installation : NO

适用机型 applicable model : F007K-W121/FHA, F007K-W122/FHA, F007K-W123/FHA,
F007K-W162/FHA, F007K-W222/FQ, F007KD-W121/FHA,
F007KD-W122/FHA, F007KD-W123/FHA, F007KD-W162/FHA,
F007KD-W222/FQ



FP 折线条装置 Crinkle Seaming

运动服装，牛仔服饰或其他服饰之凸面褶线条车缝，车缝时可于褶线条内另加缝线绳，以增加凸线条之立体感和装饰效果

To sew a decorative convex stripe on sportswears, jeans or other clothes, can also add extra stripe inside convex to increase the effects of convexity and decoration.

可自行组装 self-installation : YES

适用机型 applicable model : F007K-U122-232 , F007KD-U122-232



FQ

上带滚边车缝 Tape Binding

1. T恤、内衣裤、儿童服饰等之衬带或包边车缝
2. 本装置与机器一起订购时会加附FG组，但个别购买FQ组件时则不另附FG组
3. 喇叭标准规格为入布宽度1-3/8"，出布宽度为1/2"，卷成三折，若需要标准品以外之尺寸，请订购时特别注明，但交期和费用另计
4. 本装置有三种订购方式：

1. For tape binding on openings of leg or underwear, T-shirt, etc...
2. If purchased machine with FQ, we will also attach FG. If purchase FQ device only, no FG attached.
3. Binder's standard opening size is 1-3/8" wide and finished size is 1/2" wide in 3 folds. Please remark if need another size when ordering, delivery date and cost will be re-calculated.
4. Ways to order the device:

机型 Model	FQ	FG	FQ规格组 FQ Gauge Set	喇叭 Binder
F007KD-W222-240/FQ	√	√	√	√
F007KD-W222-240	X	X	√	X
F007KD-W222-240/FQP	√	√	√	X

可自行组装 self-installation : YES

适用机型 applicable model : F007K-W222 , F007KD-W222



FR

右切刀修布装置 Right Hand Side Trimmer

修齐两片布接缝之下方多余之布料，使车缝品质更加美观
Right hand side waste fabric trimming, ensures better sewing quality.

可自行组装 self-installation : NO

适用机型 applicable model : F007K-W522



FSM

花饰滚边车缝 Ornamental Tape Binding

适用于T恤衫、衬衫等领口及下摆、袖口等花饰滚边车缝，附有四组花饰凸轮可变化成数百种车缝花样

Suitable for ornamental tape binding of neck band, bottom or cuff of T-shirts, shirts, etc... Four sets of cam create hundreds of patterns.

可自行组装 self-installation : NO

适用机型 applicable model : F007K-W222, F007KD-W222



FSP

双钩针上布条装置 Double Looper Tape Binding

双针双钩针布条贴缝装置，例如男内裤门襟

This device is specially designed for tape binding on cross seaming of men's briefs or sportswears.

押具代码 Presser Foot Code	入布宽度 Tape Width	出布宽度 Finish Width	适用机型 Applicable Model
P5118 押具代码 (含喇叭binder included)	25mm	12mm	F007K(D)-U712A
P5117 押具代码 (含喇叭binder included)	21mm	10mm	F007K(D)-U712

可自行组装 self-installation : NO

适用机型 applicable model : F007K-U712 , F007KD-U712



FSR

卷叠缝 Lap Seaming

本机种设计特殊之左右齿差动方式，能使卷叠缝缝纫更顺畅，车缝后左右两片均一无长短之虞；适用于西裤、休闲裤、牛仔裤薄至厚布料等之卷边叠缝

Differential ratio of left and right feed dog can be adjusted separately for lap seaming to ensure symmetrical length to both left and right fabric. Applicable to trousers, casual pants and jeans, etc...

可自行组装 self-installation : NO

适用机型 applicable model : F007K-U712 , F007KD-U712



FW



FWP

四针六线环缝车缝装置 Four-needle Flat Seaming

用于一般内衣裤二片布接缝处之接缝和补强，无需先经由拷克车拷边再饰缝，牢固美观，可附加喇叭 (B417R) 做贴带补强
用组件代号FWP

For flat seaming 2 pieces of fabric, equipped with fabric guide for easy operation.

FWP: Folder(B417R) is optional, for tape attaching.

可自行组装 self-installation : NO

适用机型 applicable model : F007K-W922 , F007KD-W922



FY

裤袋里布车缝 Pocket Lining Seaming

用于裤袋之缝制，三针三勾一上叉针可强化缝合，增加产品之牢固。西服、工作服等衣袋和裤袋内里之缝纫工程

This is a 3 needles 3 loopers 1 spreader machine, and special for seaming the shell fabric and lining of pocket in trousers or working pants in simple operation to increase sewing quality and efficiency.

可自行组装 self-installation : NO

适用机型 applicable model : F007K-W722 , F007KD-W722



LFA-A□

直向电动送带装置 Electric Tape Feeding Device

利用电子马达带动松紧带，使其放松到零松紧状况，并可控制所需松紧带之长短，使车缝时松紧度能一致

□代表电压, 1: 110V, 2: 220V

Elastic type is fed by electric motor to achieve zero tension. Elastic tape length can be easily adjusted to expect length to ensure elasticity consistency.

□=voltage, 1: 110V, 2: 220V

可自行组装 self-installation : YES

适用机型 applicable model : C007K/FE, C007K/FFC, C007K/CR/FE,C007K/CR/FFC, F007K/FE, F007K/FFC, F007K/FFD, C007K/CR/FFC, F007K/FFP, F007K/FSP, F007K/FBP, F007K/FWP, F007K/FR/FE , F007K/FR/FFC,C007KD/FE, C007KD/CR/FE, F007KD/FE, F007KD/FFP, F007KD/FSP, F007KD/FBP, F007KD/FWP



LF290 抖带轮 -A□ Untangle Wheel

可选配安装于LFA (送带装置), 以逆转的方式, 抖动松紧带, 做为送带前的处理
□代表电压, 1: 110V, 2: 220V

An optional device to be equipped with LFA (tape feeding device). Untangling the elastic tape by reverse rotation wheel is a pre-feeding process.

□=voltage, 1: 110V, 2: 220V

可自行组装 self-installation : YES

适用机型 applicable model : MODEL w/LFA

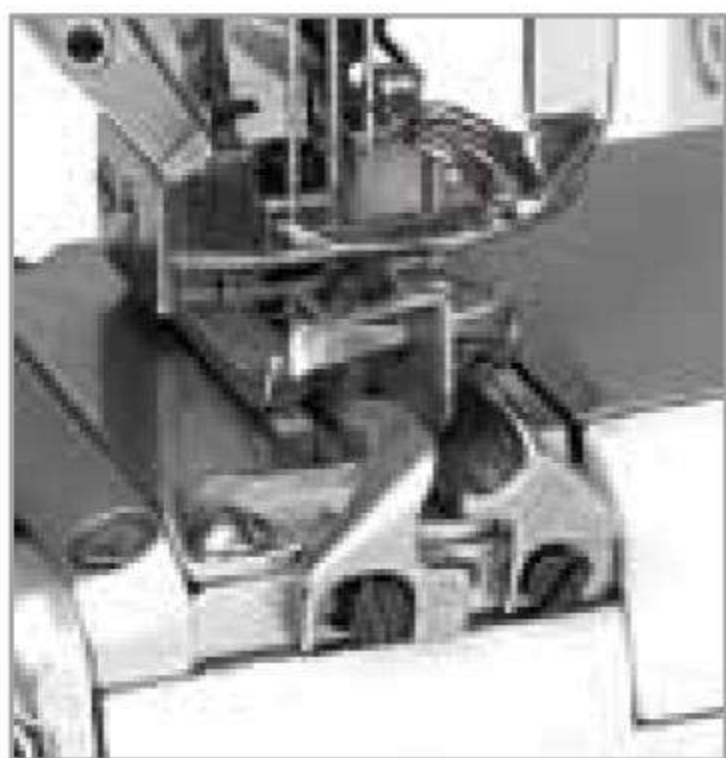


LS-A 上方带盘 Upper Tape Holder

置于上前方放布条或松紧带
For top feeding tape or elastic.

可自行组装 self-installation : YES

适用机型 applicable model : C007K/FE, C007K/FFC, C007K/CR/FE, C007K/CR/FFC, F007K/FE, F007K/FFC, F007K/FFD, F007K/FFP, F007K/FSP, F007K/FBP, F007K/FWP, F007K/FR/FE, F007K/FR/FFC, C007KD/FE, C007KD/CR/FE, F007KD/FE, F007KD/FFP, F007KD/FSP, F007KD/FBP, F007KD/FWP



PCC 拷克倒骨盖缝装置 Overlock-Seam Covering (Fold-down Type)

1. 适中厚至厚布料经四线拷克车包缝后之饰缝
 2. 对于运动服、领子、衣襟、袖管之拷边车缝后加以单面或双面装饰环缝，可增加服饰之美观及车缝之牢固。利用导布片及押具上之押刀导缝，可避免车缝时弯曲不直
1. Overturned seam covering for medium to heavy fabric after 4 thread plain seaming.
2. Suitable for neck openings, sleeve, cuff or bottom of sportswears, T-shirts, etc...
With fabric guide and special presser foot, making sewing easy and more efficient.

可自行组装 self-installation : YES

适用机型 applicable model : S007K all models, S007KD all models



PCD 拷克倒骨盖缝装置 Overlock-Seam Covering (Fold-down Type)

1. 适中厚布料经四线拷克车包缝后之饰缝
 2. 对于运动服、领子、衣襟、袖管之拷边车缝后加以单面或双面装饰环缝，可增加服饰之美观及车缝之牢固。利用导布片及押具上之押刀导缝，可避免车缝时弯曲不直
1. Overturned seam covering for medium to heavy fabric after 4 thread plain seaming.
2. Suitable for neck openings, sleeve, cuff or bottom of sportswears, T-shirts, etc...
With fabric guide and special presser foot, making sewing easy and more efficient.

可自行组装 self-installation : YES

适用机型 applicable model : S007K all models, S007KD all models



PCE 拷克立骨盖缝装置 Overlock-seam Covering (Flattening Type)

1. 适中厚布料经三线拷克车包缝后之饰缝
 2. 对于运动服、领子、衣襟、袖管之拷边车缝后加以单面或双面装饰环缝，可增加服饰之美观及车缝之牢固。利用导布片及押具上之押刀导缝，可避免车缝弯曲不直
1. Bulging seam covering for medium fabric after 3 thread plain seaming.
2. Suitable for neck openings, sleeve, cuff or bottom of sportswears, T-shirts, etc...
With fabric guide and special presser foot making sewing easy and more efficient.

可自行组装 self-installation : YES

适用机型 applicable model : S007K all models, S007KD all models



PCH 下摆车缝 Bottom Hemming

T恤、内衣及儿童服饰之下摆及袖口之车缝，可随需要调整下摆饰缝组宽度，操作简单快捷
Suitable for the bottom hemming of T-shirts, underwears, cuff of children's garments, etc... Able to adjust the width of hemming set to fit demands, easy operation.

可自行组装 self-installation : YES

适用机型 applicable model : S007K all models, S007KD all models



RL 筒型衣物撑开滚轮组(长轮) Tubular Extending Roller (Long Type)

专用于辅助筒型衣物之车缝

Especially used to assist with tubular cloth sewing.

可自行组装 self-installation : YES

适用机型 applicable model : C007K/CY, C007KD/CY



RLP 筒型衣物撑开滚轮组(短轮 + 斜轮) Tubular Extending Roller (Short+ Cone Type)

专用于辅助筒型衣物之车缝

Especially used to assist with tubular cloth sewing.

可自行组装 self-installation : YES

适用机型 applicable model : C007K/CX, C007KD/CX



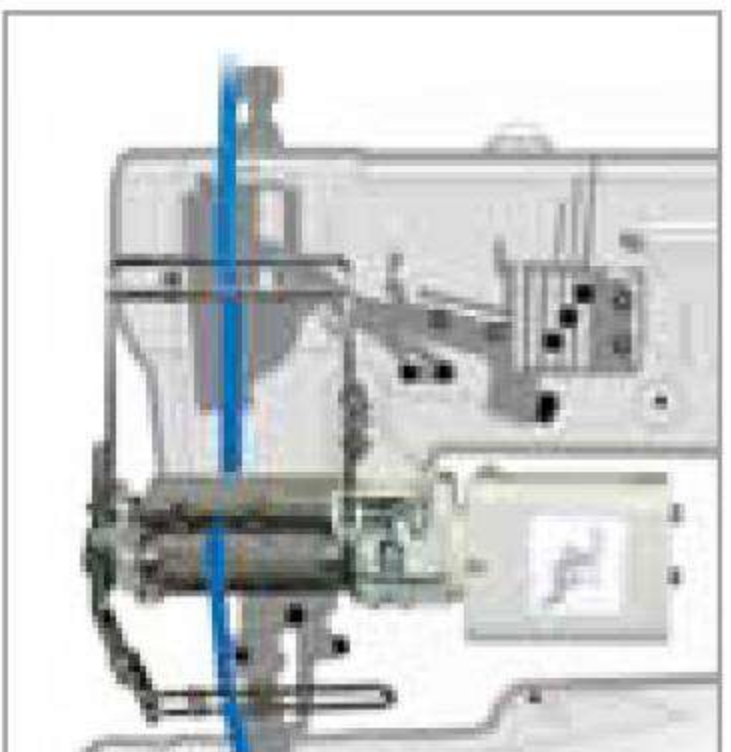
RLQ 筒型衣物撑开滚轮组 Tubular Extending Roller

专用于辅助筒型衣物之车缝

Especially used to assist with tubular cloth sewing.

可自行组装 self-installation : YES

适用机型 applicable model : C007K/CZ, C007KD/CZ



SMK 电子计数式送带 Electric Metering type tape feeding

SMK1 - □ - □

- A: 包缝机·上送带
Overlock, Top Feed
- C: 绷缝机·上送带
Interlock, Top Feed
- D: 绷缝机·下送带
Interlock, Bottom Feed
- E: 绷缝机·侧送带
Interlock, Side Feed

- 01 附定位器, 适合简易伺服或离合器马达
With synchronizer for simple servo motor or clutch motor
- 02 以中继线, 连接伺服马达
Connected to servo motor by encoder cable

可自行组装 self-installation : YES

适用机型 applicable model : C007K-W512, C007K/CR, F007W512, F007/CR



STC 张力控制式送带 Tension sensor type tape feeding

STC1 - □ - □

- U: 上送带
Top Feed
- B: 下送带
Bottom Feed
- S: 侧送带
Side Feed

- 01 附定位器, 适合简易伺服或离合器马达
With synchronizer for simple servo motor or clutch motor
- 02 以中继线, 连接伺服马达
Connected to servo motor by encoder cable

可自行组装 self-installation : YES

适用机型 applicable model : C007K-W512, C007K/CR, F007W512, F007/CR

UT□

自动切线组 Automatic Thread Trimmer Set



上切
Top Trimmer



下切
Bottom Trimmer



夹线
Thread Gripping



吹风
Thread Blowing

机型 Model	代号 Code	功能 Function				驱动 Drive	
		上切 Top Trimmer	下切 Bottom Trimmer	夹线 Thread Gripping	吹风 Thread Blowing	气动 Pneumatic	电动 Electronical
F007K F007KD	UTG	√	√		*	√	
	UTH		√	选配 Optional	√		
	UTJ	√	√				√
	UTK		√	√			
C007K C007KD	UTP	√	√		*	√	
	UTQ		√	选配 Optional	√		
	UTR	√	√				√
	UTS		√	√			
S007K S007KD	UTT	√	√		*	√	
	UTU		√	选配 Optional	√		
	UTX	√	√				√
	UTY		√	√			


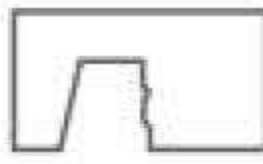

*配件盒附吹风管，客户若不需上网线时，可自行将上切刀改为吹风

Thread blowing device is included in the accessory box. If the coverstich thread is not required, users may install blowing device instead of upper thread trimmer.

MOTOR

代码 Motor No.		规格 / Specification				适用机型 Applicable Model	
		W	V	Pole	Phase		HZ / R.P.M.
离合器马达 Clutch Motor	T3230Hx	400W	110	2	1	50HZ/2850R.P.M. 60HZ/2850R.P.M.	
	T3201Hx		220				
	T3202Hx		240				
	T3203Hx		380				
	T3204Hx		220				
	T3231Hx	550W	110	1	3		
	T3205Hx		220				
	T3206Hx		240				
	T3207Hx		380				
	T3208Hx		220				
简易伺服马达 Simplified Servo Motor	TSA-550					50HZ/60HZ 5000R.P.M	
伺服直驱马达 Servo Motor (T501HE)	TA401UHBA T6421UHA-A	500W	200-240	4	1	50HZ/60HZ 3000R.P.M	C007KD/UTP&UTQ F007KD/UTG&UTH S007KD/UTT&UTU
	TA401UHB T6421UH-A						C007KD/UTR&UTS F007KD/UTJ&UTK S007KD/UTX&UTY
伺服马达 Servo Motor	TC401KH	550W	380	4	3		C007K/UT F007K/UT
	TC432KH						F007KD/FFT/FHK
	T6427UHA-A						C007K/CHK
	TC422KH						C007KD/CHK
	T6426UHA-A						
伺服直驱马达 Servo Motor (T501HE)	TA406UHBA T6431UHA-A	500W	200-240	4	1	50HZ/60HZ 5000R.P.M	C007KD/CAR/UTP&UTQ S007KD/SAR/UTT&UTU
	TA406UHB T6431UHA-A						C007KD/CER/UTR&UTS S007KD/SER/UTX&UTY

TABLE

桌板代号 Item No.	尺寸 / Size (mm)			说明 Description	适用机型 Applicable Model	备注 Remark
	长 Length	宽 Width	厚 Thickness			
C007-T23	1200	540	45	半沉式 Semi-submerged	C007K, C007KD S007K, S007KD	
C007-T25	1200	540	45	上乘式 Non-submerged	C007K, C007KD S007K, S007KD	
C007-T26	1200	540	45	半沉式 Semi-submerged	C007K/CFC	
F007K-T	1200	540	45	半沉式 Semi-submerged	F007K F007KD	
F007K-T1	1200	540	45	半沉式 Semi-submerged	F007K/FR F007KD/FR	
F007K-T2	1200	540	45	上乘式 Semi-submerged	F007K/FFT/FHK	

Contact